



TECHNICAL DATA SHEET

Latching - Lockable Handle

2 Otter Court, Raymond, New Hampshire 03077 • Tel. (603) 895-4761 • FAX (603) 895-6785 • www.geminivalve.com



DESCRIPTION

The Gemini Latching-Lockable handle for 76, 82, 86 & 96 Series ball valves provides a lever handle that prevents accidental opening or closing by latching in both positions and providing Lock-out/Tag-out capability.

MATERIALS OF CONSTRUCTION

BASE PLATE, HANDLE, SLIDER: Carbon Steel, Zinc with Clear Chromate Plating

LATCHING SPRING: 18-8 Stainless Steel

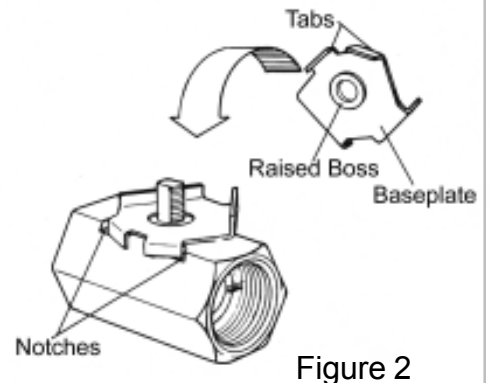
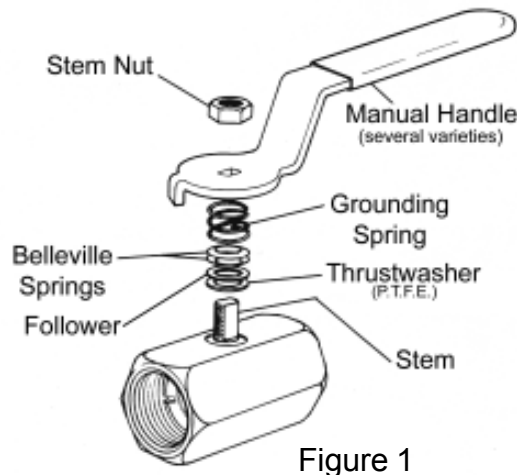
HANDLE GRIP: Vinyl Plastisol

CONVERSION INSTRUCTIONS; STANDARD OPERATOR TO LL HANDLE

To Install The 'LL' Handle On A Gemini Manual Valve:

1. Remove the stem nut and handle. Remove the grounding spring. (If you valve has a second stem nut beneath the handle, remove it as well). Remove the two Belleville washers, the follower and the thrustwasher. (Figure 1)

2. Place the 'LL' handle baseplate in position over the stem so that the raised boss enters the stem counterbore and tabs engage the stop notches in the body. (Figure 2)



CONVERSION INSTRUCTIONS; STANDARD OPERATOR TO LL HANDLE (continued)

3. Place the follower over the stem. Place the Belleville washers over the stem with their concave sides together. Run the thinner of the two hex nuts (note; the small and large handle kits have two hex nuts of identical thickness) supplied with the kit down on the stem and tighten until the Belleville washers just become fully flattened. Care should be taken not to tighten the nut beyond this point as it may damage the stem seal. If the valve is being converted is not installed in a line, a wood or plastic dowel may be inserted through the valve (a wooden pencil will serve on smaller valve sizes) to prevent the ball from turning as the nut is tightened. On valves which are installed, the stem may be prevented from turning by placing

the manual valve handle, removed in Step 1, over the stem as the nut is tightened.

4. Loosen the fillister head screw on the 'LL' lever assembly, withdraw the latch with the latch thumb tab and swing the guard aside. Place the 'LL' lever assembly on the valve stem. Secure the lever with the remaining nut from the kit and tighten securely.

5. Pull the latch back with the thumb tab. Swing the guard back into position, secure by tightening the fillister head screw. Operate the valve several times to check for proper functioning.

If the lever is noticeably harder to operate than it was before the conversion, the lower stem

nut may have been overtightened.

If the latch fails to spring into engagement with the stops at either end of the stroke, check to ensure that the return spring is properly engaged in the latch, check for interference between the latch and the baseplate, check to see that the guard is fully swung into position.

The Latching Lockable handle should now be ready for service.

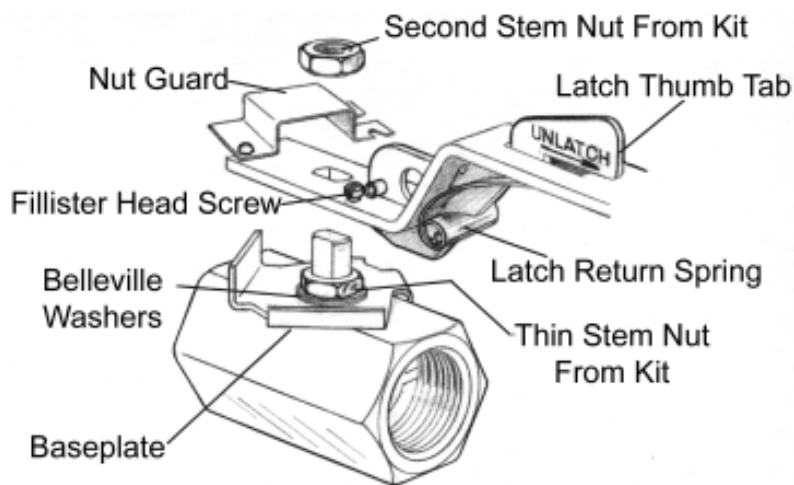
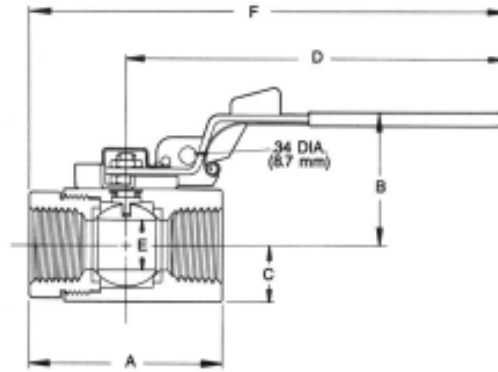


Figure 3

DIMENSIONS



Valve Size & Series				Dimensions - Inches													
				A			B		C		D		E		F		
76	86	96	82	76	86 & 96	82	76 86 96	82	76 86 96	82	76 86 96 82	76 86 96	82	76	86 96	82	
1/2	1/4 & 3/8	-	1/4	2.18	2.20	3.72	1.98	1.77	0.50	.50	6.75	0.36	0.36	7.81	7.86	8.62	
3/4	1/2	-	3/8	2.22	2.61	3.70	2.08	1.77	0.60	.50	6.75	0.49	0.36	7.86	8.07	8.56	
1	3/4	1/2	1/2	2.76	2.94	3.94	2.23	1.77	0.75	.50	6.75	0.63	0.36	8.13	8.22	8.73	
1-1/4	1	3/4	3/4	3.02	3.32	4.17	2.45	1.87	0.97	.59	6.75	0.80	0.49	8.26	8.41	8.85	
1-1/2	1-1/4	1	1	3.45	3.70	4.92	2.61	2.08	1.06	.75	6.75	0.97	0.62	8.35	8.59	9.21	
2	1-1/2	1-1/4	-	4.04	4.25	-	2.87	-	1.31	-	6.75	1.25	-	8.67	8.88	-	
-	2	1-1/2	-	-	4.57	-	3.06	-	1.50	-	6.75	1.50	-	-	9.04	-	