



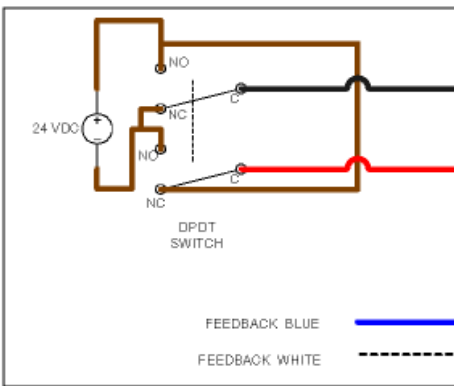
87 Series WD2402 24VDC Wiring Diagram

(Rev. 10/2010)

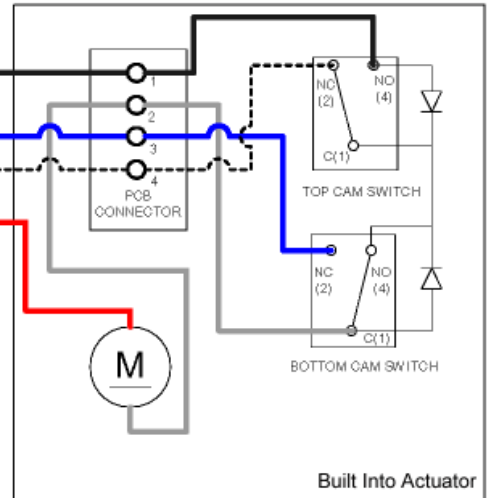
2 Otter Court, Raymond, New Hampshire 03077 • Tel. (603) 895-4761 • FAX (603) 895-6785 • www.geminivalve.com

TYPE:
 Actuation: Polarity Reversing
 Feedback: Standard
 Actuator Shown in Closed Position

Recommend Field Circuit



NOTES: 1. DASHED LINES REPRESENT WHITE COLORED WIRE



Built Into Actuator

FEEDBACK:
 ACTUATOR CLOSED: 24V CAN BE MEASURED ACROSS BLACK AND WHITE
 ACTUATOR OPEN: 24V CAN BE MEASURED ACROSS BLACK AND BLUE
 THE FEEDBACK SIGNAL SHOULD ONLY BE USED FOR MEASUREMENT, OR RUNNING VERY SMALL LOADS SUCH AS LEDs, RELAYS, IO MODULES, OR SIGNAL LOGIC. IF THE FEEDBACK IS USED TO RUN MORE THAN A SMALL LOAD, THE ACTUATOR MOTOR WILL CONTINUE TO ROTATE PAST THE OPEN AND CLOSED STOP POSITIONS.

Wire	Valve Closed	Valve Opening	Valve Open	Valve Closing
Black	0 VDC	+ 24VDC	+ 24VDC	0 VDC
Red	+ 24VDC	0 VDC	0 VDC	+ 24VDC
Blue	Open	Open	0 VDC	Open
White	+ 24VDC	Open	Open	Open

