



Accessories for 98 Series 2" & 3" Stainless Steel Full Port Wafer Style Ball Valves



Handle Hub & Handle Kits



Electric Actuators



Pneumatic Actuators
(Spring-Return & Double-Acting)



Gemini Valve Sales & Service compliments the Gemini Valve 98 Series with manual, electric and pneumatic actuators.

These actuators are mounted to the valve with a Gemini Valve designed and manufactured mounting system that assures rigid and precise coupling of the actuator to the valve. The reaction torque is absorbed independently

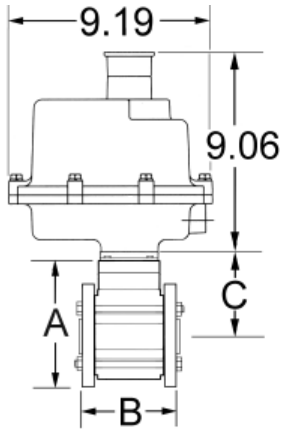
of the assembly bolts, thus preventing the common problem of the assembly bolts loosening in service.

Gemini Valve Sales & Service with regional distribution centers (locations listed backside) can provide 'off the shelf' availability, prompt professional service and technical support for any of your on / off manual and actuated 98 Series valve requirements.

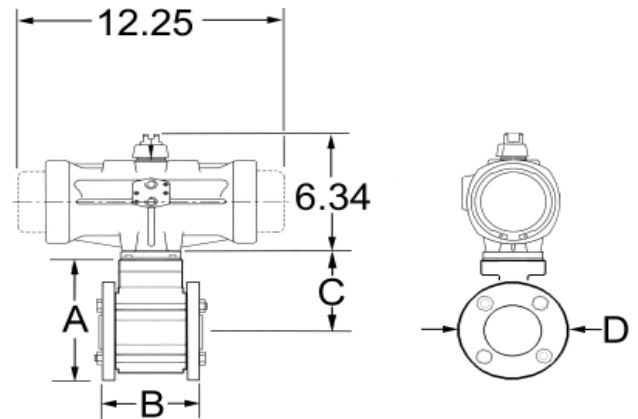
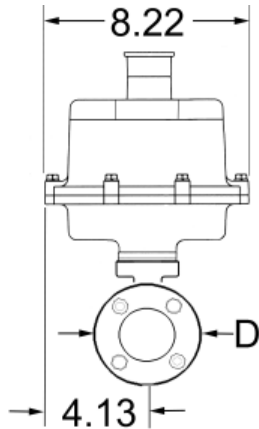
Electric actuators are also available with electronic positioners with signals 4-20 mA, 0-10 Vdc, or 0-1000 Ohms. Pneumatic actuators are available in both double-acting and spring-return versions to meet your specific application requirements.

For more details on these or our other extensive valve products please contact us.

Dimensions and Specifications



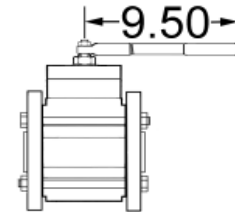
with 92 Series Electric Actuators



with 79 Series Pneumatic Actuators

Size	A	B	C	D
2.0	6.40	5.00	5.26	6.00
3.0	11.74	7.07	6.11	7.50

98 Series Valves with Manual Handle



92 Series Electric Actuator Features

- 75% Duty Cycle Series A92
- 100% Duty Cycle Series B92
- Temperature Rating: To 150°F
Note: -40°F with Heater and Thermostat
- Beacon Indicator - Standard, Manual Override Available
- Reversing Type Motor, 115VAC 50/60 Hz, Single Phase
- Brushless, Capacitor-Run Motors (AC Models)
- Integral Thermal Overload Protection with Auto-Reset (AC Models)
- Permanently Lubricated Gear Train
- Two 1/2" NPT Conduit Ports Prevent Interference Between Control and Power Signals
- NEMA 4X, 7 & 9
- All 115VAC and 220 VAC Motors are CE Marked
- Options - Contact Us For Details

Specifications subject to change without notice and without obligation.

79 Series Pneumatic Actuator Features

- Double Piston, Rack & Pinion Design
- Temperature Rating: -25 F to 195 F
Note: High Temperature Actuators Available
- Extended Shaft for Manual Override
- Visible Position Indicator
- Series 303 Stainless Steel Actuator Shaft
- Lightweight Cast Aluminum Construction
- Cataphoresis and Rilsan Coating
- Operating Air Supply 80 - 120 psi
- Options - Contact Us For Details



485 West Wrightwood Avenue
Elmhurst, IL 60126
Tel. 630 530-1242
FAX 630 530-1244