

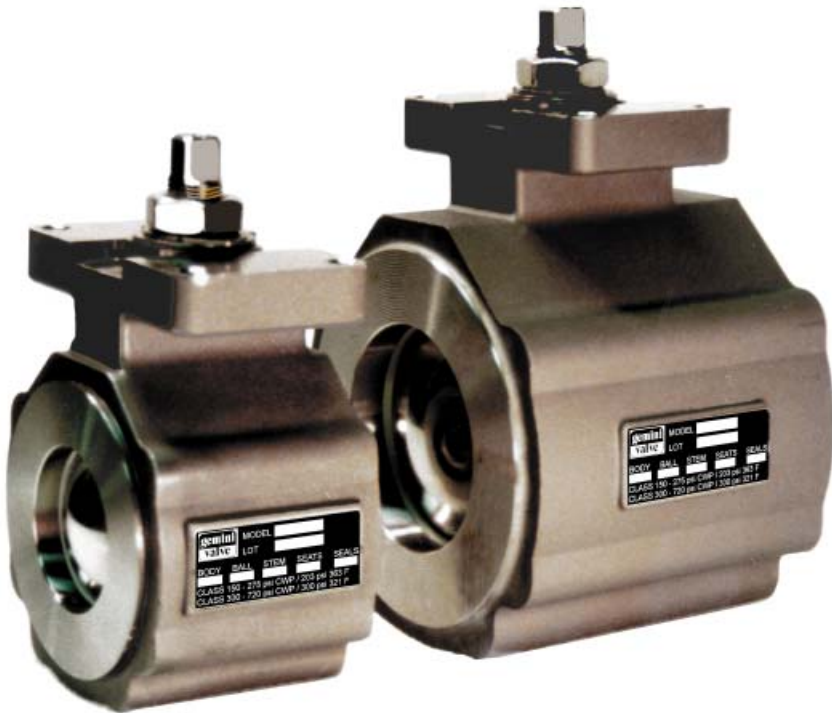


98 Series 2" & 3" Stainless Steel Full Port Wafer Style Ball Valves

2 Otter Court, Raymond, New Hampshire 03077 • Tel. (603) 895-4761 • FAX (603) 895-6785

FEATURES

- **Wafer Style Construction Optimizes Use Of Material Minimizing Cost and Pipeline Weight**
- **Bottom Entry Stem having a Viton O-ring Seal that is replaceable without removing the valve from the pipeline**
- **Integral Mounting Pad enables rigid and precise coupling for both pneumatic and electric actuators, enhancing valve performance.**
- **Full Port Stainless Steel with Reinforced Teflon® Seats and Viton® Stem Seal**
- **Meets ANSI B16.34 150# & 300# Class Specifications**
- **Available From Stock**



In the Gemini Valve tradition, the 98 Series wafer style stainless steel full port ball valves combine the efficient use of materials and application features that offer optimum value for many industrial valve applications.

By installing a 98 Series valve between a pair of 150# or 300# Class raised face flanges, the valve essentially becomes a conventional three piece ball valve that meets ANSI B16.34

specifications for the rating of the flanges used. Not only does this minimize the cost, it also reduces the weight substantially compared to traditional flanged end valves.

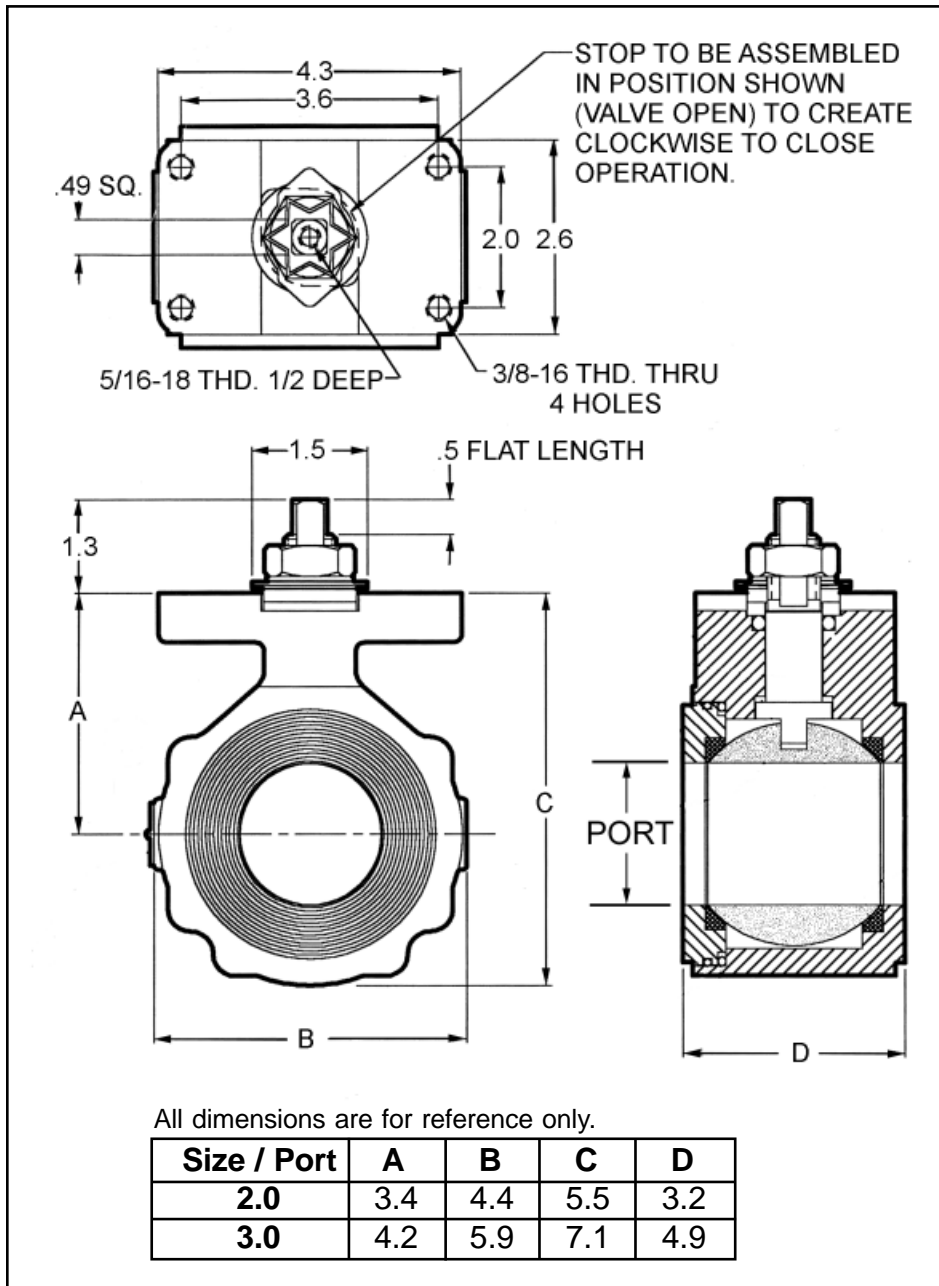
The 98 Series also features quick and easy stem seal replacement while the valve remains in-line, thereby minimizing both repair cost and downtime.

When either electric or pneumatic actuation of 98 Series valves is required, a mounting

system is available that assures rigid and precise coupling of the actuator to the valve. The reaction torque is absorbed independently of the assembly bolts, thus preventing the common problem of the assembly bolts loosening in service.

Accessories including, handles, electric and pneumatic actuators are available from stock through our Service Centers. Please consult our factory for details.

Dimensions and Specifications



Ratings

WITH 150# FLANGES;
 275 psi @ 100° F
 200 psi @ 365° F
 150 psi Saturated Steam*

WITH 300# FLANGES;
 720 psi @ 100° F
 300 psi @ 321° F
 150 psi Saturated Steam*

* with optional EPR O-rings

Materials of Construction

BODY: CF8M Stainless Steel
BALL: CF8M Stainless Steel
STEM: 17-4 Stainless Steel
END PLUG: 316 Stainless Steel
VALVE SEAT: 15% Glass-Filled Teflon®
BODY SEAL: Viton® O-ring
STEM SEAL: Viton® O-ring
INSERT SEAL: Viton® O-ring
TRIM: Stainless Steel

Note: Handles & Kits, Pneumatic and Electric Actuators are available through our Service Centers. Please consult factory for details.

Specifications subject to change without notice and without obligation on the part of the manufacturer.

LIMITED WARRANTY

Seller warrants its products for a period of one 1 year, to be manufactured in accordance with published specifications and free from material defects in material and/or workmanship. Seller, at its option, will repair or replace any products returned intact to the factory, transportation charged pre-paid, which Seller, upon inspection, shall determine to be defective in material and/or workmanship. The foregoing shall constitute the sole remedy for any breach of Seller's warranty. SELLER MAKES NO WARRANTIES, EITHER EXPRESSED OR IMPLIED, EXCEPT AS PROVIDED HEREIN, INCLUDING WITHOUT LIMITATION THEREOF, WARRANTIES AS TO MARKETABILITY, MERCHANTABILITY, FITNESS, FOR A PARTICULAR PURPOSE OR USE, OR AGAINST INFRINGEMENT OF ANY PATENT, IN NO EVENT SHALL SELLER BE LIABLE FOR ANY DIRECT INCIDENTAL OR CONSEQUENTIAL DAMAGES OF ANY NATURE, OR LOSSES OR EXPENSES RESULTING FROM ANY DEFECTIVE PRODUCT OR THE USE OF ANY PRODUCT.



2 Otter Court
 Raymond, NH 03077

Tel. (603) 895-4761
 FAX (603) 895-6785
 www.geminivalve.com

ISL043-0801