



# The LS-1 Totally Enclosed Limit Switch for Gemini Pneumatic Actuators

2 Otter Court, Raymond, New Hampshire 03077 • Tel. (603) 895-4761 • FAX (603) 895-6785

## FEATURES



- Aluminum Housing Features Corrosion-resisting Teflon<sup>®</sup> Impregnated Hard-Anodized Surfaces
- Screw-Clamp Connectors on Internal Terminal Strip makes Wiring Straightforward and Efficient
- Manual Over-Ride Feature of Actuator is Retained
- Each of the S.P.D.T. Switches is Readily Adjustable Permitting Precise Setting even after Installation
- Designed to Meet the Requirements of NEMA 1 (General Purpose); NEMA 4 (Watertight & Dusttight); NEMA 7 (Hazardous Locations, Class I Groups B, C, & D); NEMA 9 (Hazardous Locations, Class II, Groups E, F, & G); NEMA 12 (Oiltight and Driptight); and NEMA 13 (Oiltight and Dusttight).
- U.L. Listed as Industrial Control Equipment for use in Hazardous Locations, Class I, Groups B, C, & D and Class II, Groups E, F, & G

**T**he Gemini LS-1 Limit Switch, easily mounted to any Gemini pneumatic actuator, provides means to display valve position remotely or to interconnect the valve with associated equipment such as pumps or other valves.

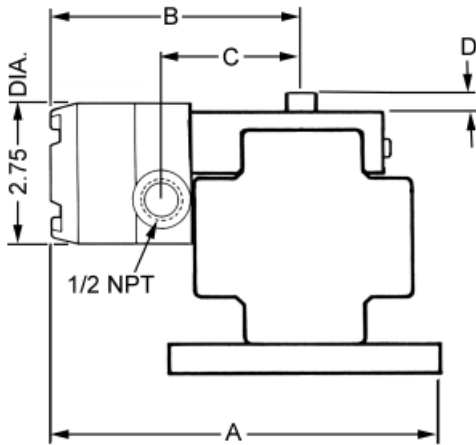
The LS-1 utilizes two mechanical S.P.D.T. (Single-Pole, Double-Throw) microswitches which respond to actuators' fully open or fully closed position by mean of a cam fitted to the actuator top shaft.

The LS-1 is totally enclosed and

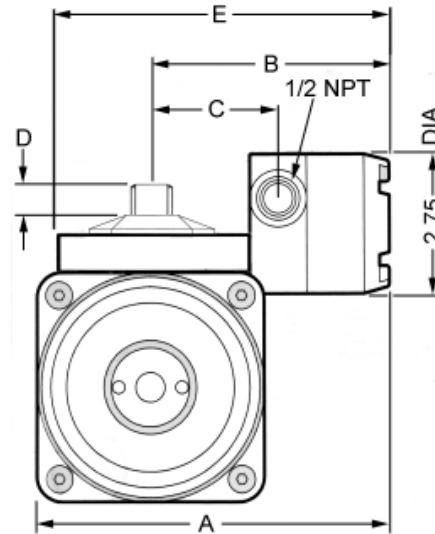
may be used in applications where a dusttight or weathertight enclosure is required as well as in those locations where general purpose enclosures will serve. The housing, like our pneumatic actuators, is 6061-T6 aluminum with Teflon impregnated hard-anodized surfaces to enhance corrosion resistance.

The LS-1 is rated at 10 amp. 250VAC maximum; 1/2 amp. 125VDC; 1/4 amp. 250VDC; 5 amp. 125VAC lamp load. (Each pole must be the same polarity to utilize these ratings).

# Dimensions and Specifications

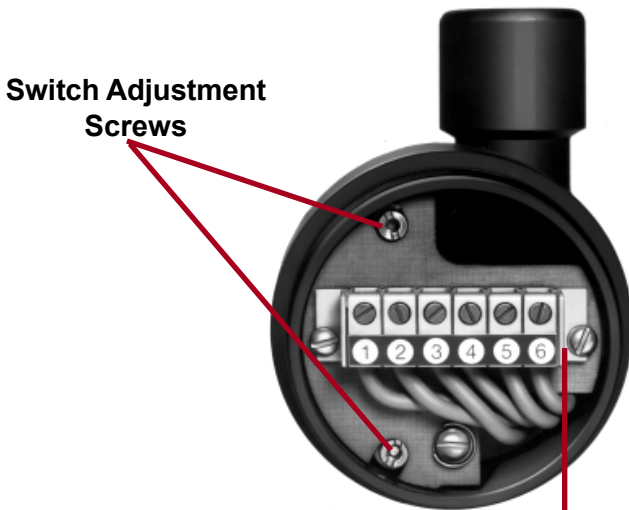


**B410 & A420 Series**



**A510 & A520 Series**

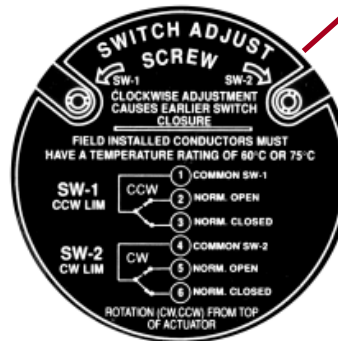
Actuator Model Series	A	B	C	D	E
B410	5.48	3.98	1.85	.28	-
A510	5.52	3.98	1.85	.97	5.32
A420	7.09	4.69	2.56	.66	-
A520	6.57	4.31	2.18	.63	5.87



Switch Adjustment  
Screws

Terminal Strip

Electrical Schematic as  
Shown - Inside Cover



2 Otter Court  
Raymond, NH 03077

Tel. (603) 895-4761  
FAX (603) 895-6785  
www.geminivalve.com

LIMITED WARRANTY - Copy Available Upon Request.  
Specifications subject to change without notice and without obligation on the part of the manufacturer.

ISL028-0103