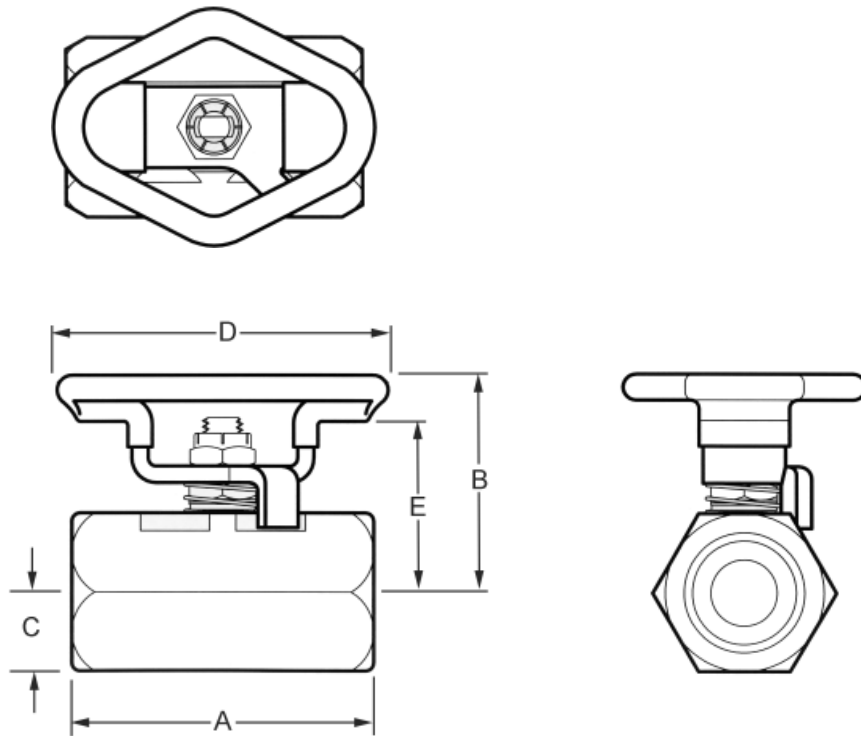




Oval Handle Dimensions

2 Otter Court, Raymond, New Hampshire 03077 • Tel. (603) 895-4761 • FAX (603) 895-6785 • www.geminivalve.com

Product Code Suffix “R”



Valve Size & Series			Dimensions - Inches					Dimensions - Millimeters						
			A		B	C	D	E	A		B	C	D	E
76	86	96	76	86 & 96					76	86 & 96				
1/2	1/4 & 3/8	-	2.18	2.18	1.58	.50	2.31	1.22	55.4	55.4	40.1	12.7	58.7	31.0
3/4	1/2	-	2.22	2.60	1.67	.59	2.31	1.31	56.4	66.0	42.4	15.0	58.7	33.3
1	3/4	1/2	2.75	2.94	1.91	.75	3.41	1.70	69.9	74.7	48.5	19.0	86.6	43.2
1-1/4	1	3/4	3.00	3.32	2.13	1.0	3.41	1.92	76.2	84.3	54.1	25.4	86.6	48.8
1-1/2	1-1/4	1	3.45	3.70	2.42	1.06	3.41	1.96	87.6	94.0	61.5	26.9	86.6	49.8
2	1-1/2	1-1/4	4.04	4.25	2.67	1.31	3.41	2.21	102.6	108.0	67.8	33.3	86.6	56.1
-	2	1-1/2	-	4.56	2.88	1.50	3.41	2.42	-	115.8	73.2	38.1	86.6	61.5

Handle Material: Zinc Plated Carbon Steel with Vinyl Plastisol Handle Grip